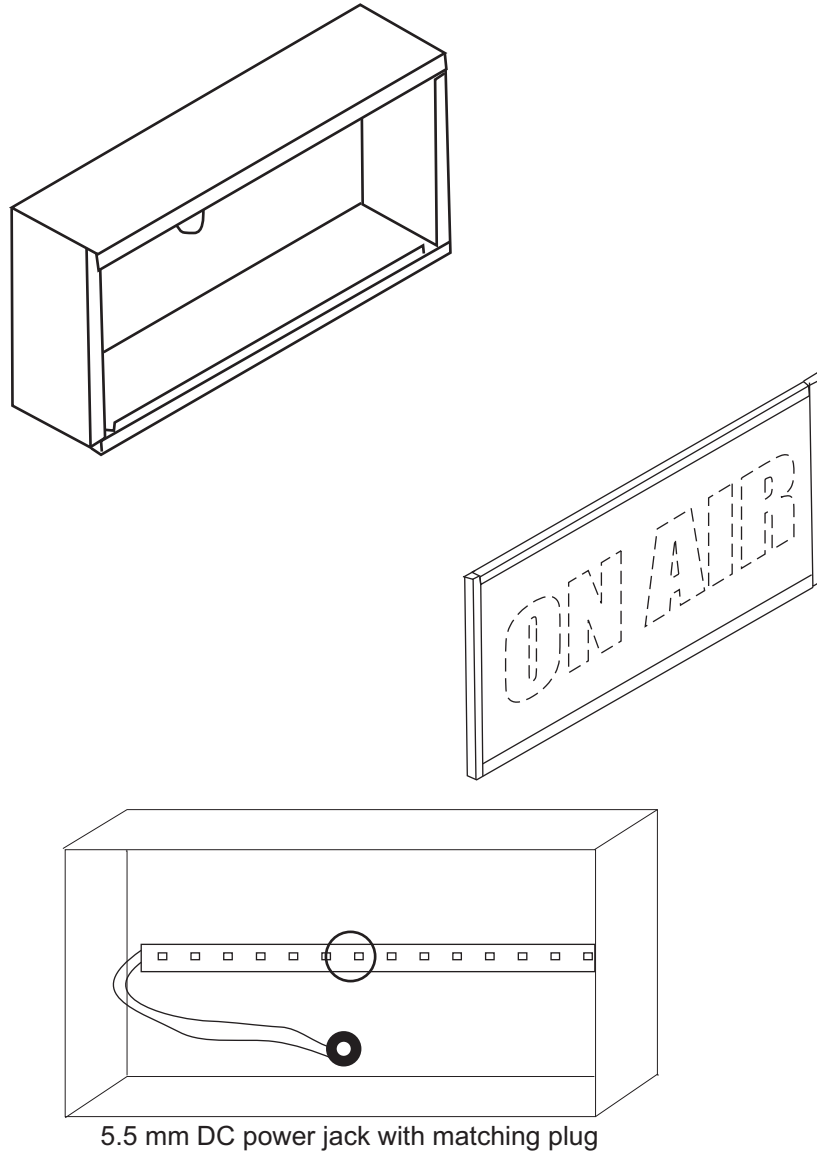




225 Lincoln Highway Suite 167
Fairless Hills, PA 19030
Ph 215 547-2570 Fx 215 701-9197 www.sandiesusa.com

12 & 24 VDC STUDIO WARNING LIGHTS INSTALLATION INSTRUCTION



- 1) Install DC power to rear of light box using 2.5mm plug provided.
Pos DC to center pin.
- 2) Mount box to wall outlet or wall ensuring power plug has clearance behind light box.
- 3) Place diffusor paper on rear of lens and fit rubber gasket over diffusor securing it to lens assembly on all four sides.
- 4) Slide lens assembly into side of box with open lens channel.